



High Yield Drag Processing Conveyor SWR-SS

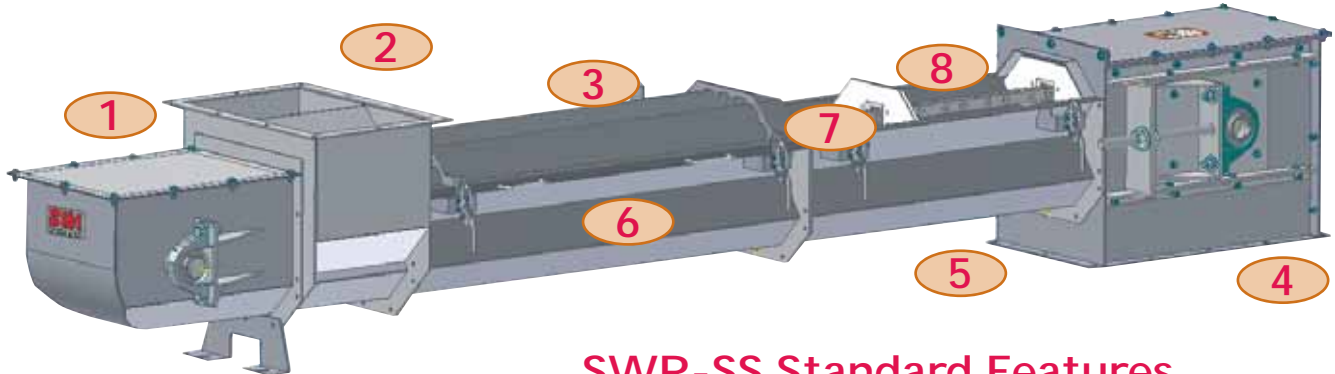
Standard Features

Lid removed only to show paddles.
Not to be operated with lids or guards removed.

SWR-SS

Sidewall Return™ Drag Conveyor

- Perfect Process
- Corrosive resistant
- Gentle Handling
- Fully Self Cleaning



SWR-SS Standard Features

Base model features

1. Self cleaning tail with outboard pillow block bearings
2. Bypass inlet
3. Low profile
4. Head with take-up
5. Full trough design with Side Wall Return™ paddle travel
6. Product travel and return travel area
7. Patented chain design
8. UHMW paddles

SWR-SS CAPACITY CHART

Model	F.P.M.	FT ³ /HR
09 SWR-SS	80	1520
	100	1900
	125	2300
12 SWR-SS	80	2480
	100	3100
	125	3900
14 SWR-SS	80	3520
	100	4400
	125	5500
16 SWR-SS	80	4480
	100	5600
	125	7000
18 SWR-SS	80	5840
	100	7300
	125	9100
20 SWR-SS	80	7040
	100	8800
	125	11000
24 SWR-SS	80	10720
	100	13400
	125	16800

Products & Industry

Salt • Fertilizers • Corrosive Materials • Ice Cubes
Soft Water Softener Pellets • Hot Wood Pellets

Visit our website: www.sidneymanufacturing.com for additional products at the link: "Products We Move with SWR Drags".

The Sidewall Return™ Surpasses All Other Drags.

Your product is moved gently, completely and cleanly!

- Captive paddle design prevents torsional chain twist and eliminates the need for hold-down devices
- Flat bottom is self cleaning
- Totally enclosed - no need to clean under the conveyor
- Continuous flow horizontal to incline, and from left to right.
- Full product discharge





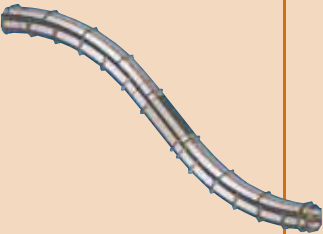

SWR-SS

Available Options

Upgrades to Base Model

SWR-SS

A full line of options to customize the Sidewall Return™ Drag Conveyor and optimize your production process.

OPTIONS FOR ALL MODELS OF SWR-SS	
Graphic	Description
	TAKE UP TAIL Puts take up at tail for easier access
	FLUSH MOUNT INTERMEDIATE DISCHARGE Flush bottom, perpendicular, self-cleaning intermediate discharge gate allows paddles to sweep clean the closed gate. Available in: (a) Rack and Pinion (b) Air Operated* (c) Electric Operation* <small>* with NEMA 4 limits and NEMA 7-9 limits</small>
	BEND SECTIONS Self Cleaning in 5° increments (a) Incline Bends 5° - 45° (b) Inverse Bends 5° - 45°
	HORIZONTAL BENDS Up to 90°

PLUG SWITCH OPTIONS
Description
NEMA 4
NEMA 7-9

MOTION SENSOR OPTION
Description
Slack Chain

PADDLE OPTIONS
Description
Nylon (for abrasive or high heat)

COVER OPTIONS
Description
Hinged and Clamped Cover



Installation of 24SWR.



P.O. Box 380, 405 North Main Ave.
Sidney, OH 45365-0380
Fax: (937) 492.0919
www.sidneymanufacturing.com